

Installation Instructions For Rainaway Arches Model 900XT/1000XT

US Patent No. 6,378,591

Tools Required:

- ☐ 1/8" drill bits
- ☐ 1/4" nut driver or socket
- ☐ Measuring tape
- ☐ Ladder



Parts Enclosed:

- ☐ Rainaway Arches
- ☐ Hardware bag (including screws, nylon spacers, large hitch pins (2 per arch)
- ☐ Small hitch pin (1 per arch)
- ☐ Mounting brackets & rubber tips
- ☐ (4) DeFlappers with bungee cords.

The Model 900XT & 1000XT Awnings use a crank wand to unroll the Awning.

WARNING: FAILURE TO WEAR SAFETY GLASSES OR TO FOLLOW THE INSTRUCTIONS BELOW CAN RESULT IN PERSONAL INJURY!

CAUTION: Your mounting bracket for the Rainaway Arch must be mounted on the same vertical plane as the awning rail.

STEP 1. Open the awning to the fully extended position.

STEP 2. The installation holes for the Rainaway Arches are already in place in the roller bar on your awning. On the roller bar, locate the round cream-colored stickers that cover the installation holes and remove only the ones that are for the Rainaway Arches (the roller bar contains the installation holes for every accessory that we offer). Consult the chart below for location of all installation holes for your size awning.

Awning Size	7'	8'	9'	10'	11'	12'	13'	14'	15'	16'	17'	18'	19'	20'
Fabric width	74"	86"	98"	110"	122"	134"	146"	158"	170"	182"	194"	206"	218"	230"
# of Rainaway Arches	1	1	1	2	2	3	3	3	3	4	4	4	5	5
Distance From edge of fabric	37"	43"	49"	36"	41"	34"	37"	40"	43"	37"	39"	42"	37"	39"
Approx. Distance Between Arches	n/a	n/a	n/a	35"	39"	33"	36"	39"	42"	36"	39"	40"	36"	38"

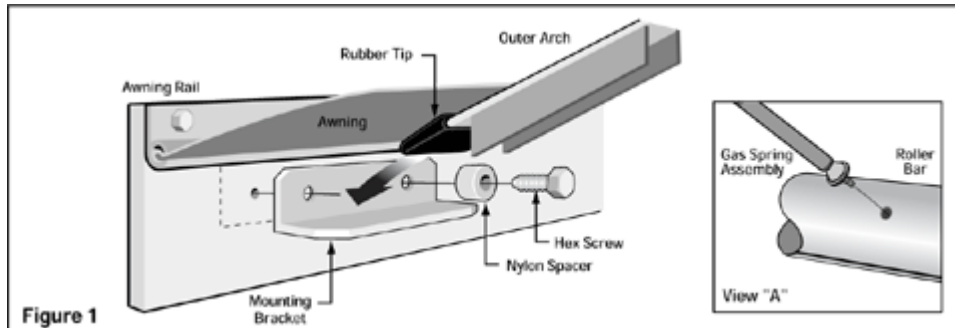
STEP 3. Note your measurements from the installation holes in the roller and transfer them under the awning rail. These will be the locations for the mounting brackets. Be sure to measure from the edge of the fabric, as this is the correct reference point.

STEP 4. Raise the front of the awning to allow clearance for installing the mounting brackets under the awning rail. Place the mounting brackets flush up against the awning rail with the center of the bracket on the marked location. Mark the two mounting screw locations.

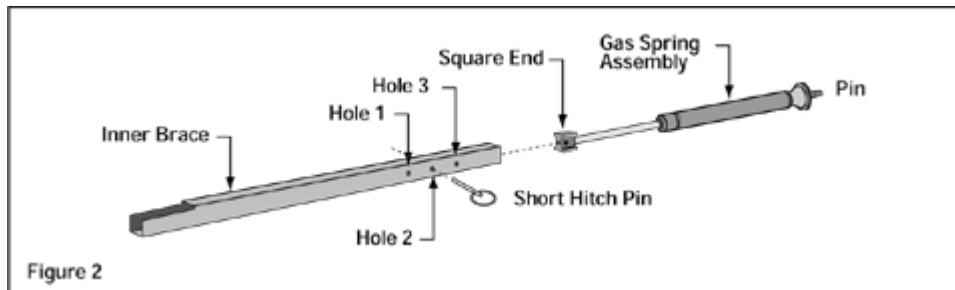
STEP 5. Remove the bracket and drill two 1/8" pilot holes in the mounting screw locations.

STEP 6. Attach the mounting bracket using two of the supplied screws with one nylon spacer on each screw as shown in Figure 1. Be certain that the screws are installed straight. If they are installed crooked the rubber tips of each arch will not seat properly between the plastic spacers. Repeat steps 4,5, and 6 for remaining arches, if any.

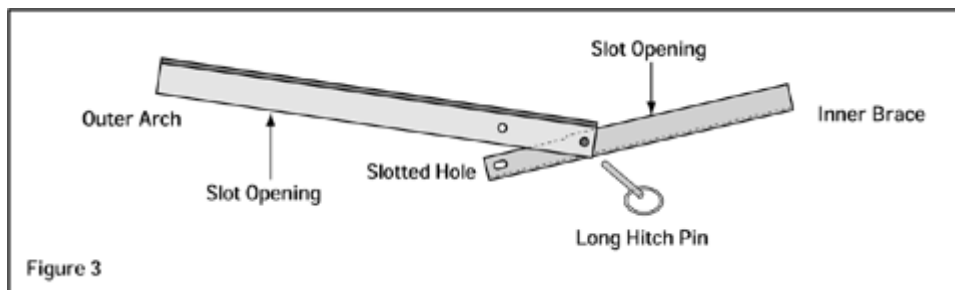
STEP 7. Lower the front of the awning to approximately head height.



STEP 8. Insert the gas spring assembly into the end of the inner brace as shown in (Figure 2). Position the square end of the gas spring assembly in line with hole 2 on the inner brace - see figure 2. Secure them together using the short hitch pin.



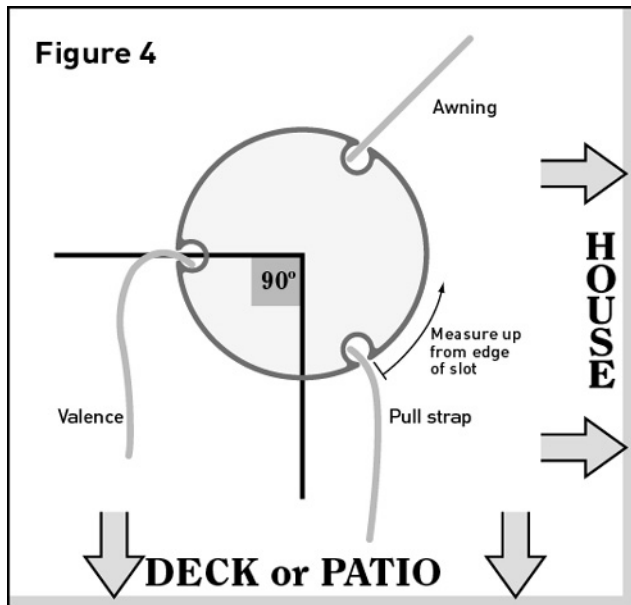
STEP 9. Assemble the outer arch and the inner brace together using one of the long hitch pins, as shown in (Figure 3). Place a rubber tip over the end of the outer arch as shown in (Figure 1).



STEP 10. Hold the arch with the slot facing downwards and set the flat end with the rubber tip into the mounting bracket under the awning rail. Make sure that the rubber tip is positioned between the installed screws and nylon spacers on the bracket. (See Figure 1). The open slot of the outer arch should be facing down and the open slot of the inner brace should be facing up. Failure to position the outer arch and inner brace correctly will result in incorrect operation of the Rainaway Arch.

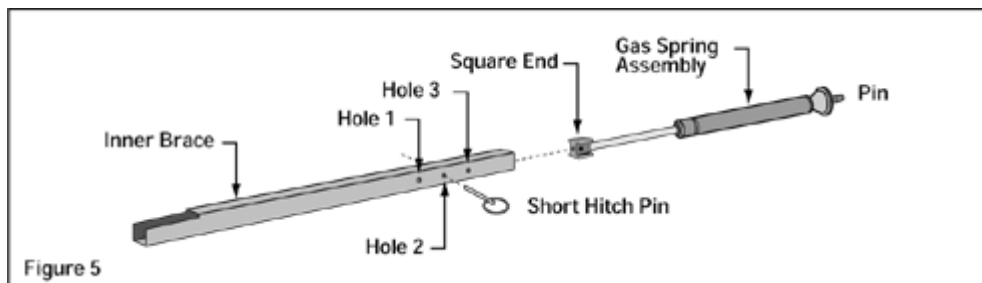
STEP 11. While holding the outer arch against the mounting bracket, insert the pin on the gas spring completely into the hole in the roller bar. Using two hands to hold the arch as shown in Figure 4, push up on the arch until the inner brace is completely inside the outer arch. Insert a long hitch pin through the hole in the arch to secure. Repeat for remaining arches if any.

WARNING: Avoid pushing up at the pinch point between the inner brace and outer arch.



WARNING: WHEN INSTALLED, THE ARCH IS UNDER GAS SPRING TENSION. BEFORE REMOVING THE ARCH FROM YOUR AWNING, HOLD THE OUTER ARCH WITH ONE HAND, THEN REMOVE THE LONG HINT PIN LOCATED THE CLOSEST TO THE HOUSE, THEN SLOWLY LOWER THE ARCH DOWN AND AWAY FROM THE ROLLER BAR AND THE HOUSE. FAILURE TO DO SO CAN RESULT IN PERSONAL INJURY!

STEP 12. After completing Step 11 on all arches, measure the distance between the edge of the inner brace and the edge of the roller bar (See Figure 5). If it is less than 1-1/4" simply remove the arch from the awning and move the gas spring assembly to hole 1 (See Figure 2), then reinstall the arch. If it is more than 2-1/4", simply remove the arch from the awning and move the gas spring assembly to hole 3 (See Figure 2), then reinstall the arch. This process will not change the distance between the edge of the inner brace and the roller bar, it will simply set the proper operating range of the gas spring.



WARNING: WHEN USING THE AWNING IN THE RAIN, YOU MUST LOWER ONE ARM TO CREATE ENOUGH DROP SIDEWAYS TO PREVENT THE RAIN FROM ACCUMULATING ON THE FABRIC. FAILURE TO DO SO CAN RESULT IN PERSONAL INJURY!

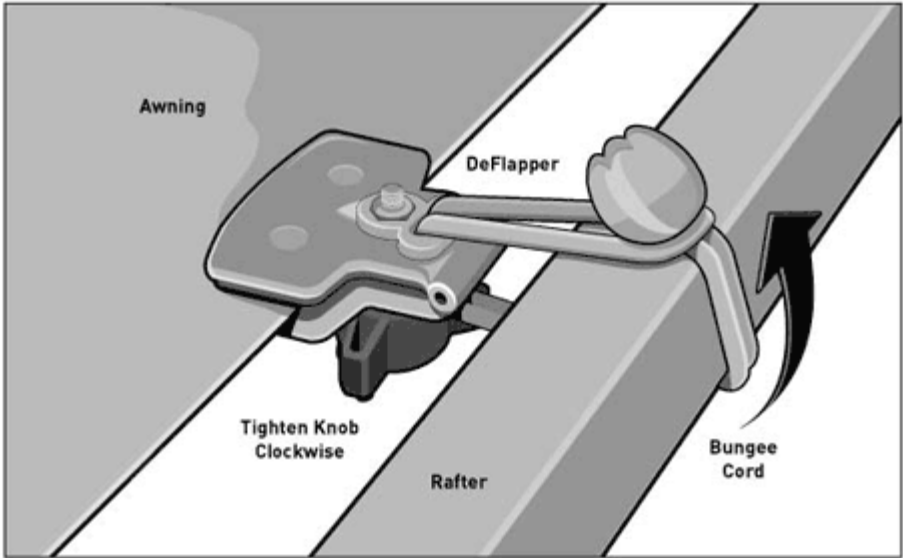
SunSetter DeFlapper Instructions

INSTALL THE DEFLAPPERS, TWO PER SIDE, SO THAT THE DEFLAPPERS ARE EQUALLY SPACED BETWEEN THE HOUSE AND THE ROLLER BAR ALONG THE HEM OF FABRIC.

STEP 1: With the knob facing down, and the rubber pads on the awning fabric hem, tighten the knob.

STEP 2: Pull the bungee cord under and around the awning rafter and place over the ball that secures the cord.

STEP 3: Repeat for the remaining three DeFlappers.



[ENJOY YOUR AWNING!!](#)